



C1001 Flow Auto Controller

VC1001-002.00-13/04

Description

C1001 Flow Auto Controller is a perfect combination of mechanical controller and electrical processing unit. According to the signal it collected and processed, MCU will send instructions to adjust the control valves so as to change the flow.

Features

- Sand-resistant, scale formation resistant, impurity-resistant, corrosive-resistant,
- Energy-saving, environment-friendly,
- Handle for extreme temperature and high pressure,
- Both automatic and manual,
- Local display and remote output of signal,
- High accuracy and large turndown ratio,
- Explosion-proof: Exd II BT4.

Application

The medium measurement for C1001: water and waste water, high temperature or high pressure water.

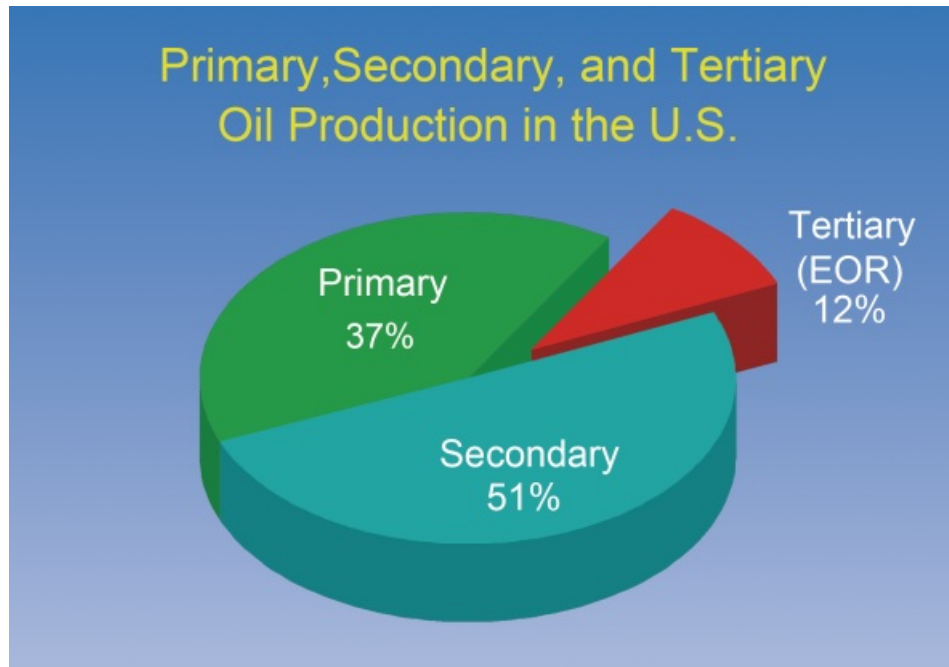


Application in water-flooding of oil fields

※ The specifications contained herein are subject to change without notice and any user of said specifications should verify from the manufacturer that the specifications are recurrently in effect. Otherwise, the manufacturer assumes no responsibility for the use of specifications which may have been changed and are no longer in effect.



C1001 Flow Auto Controller



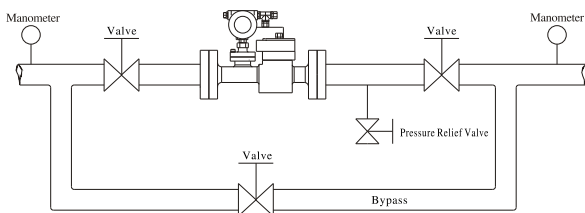
Condition of US Oil Production

● By controlling the flow quantitatively, C1001 plays an essential and irreplaceable role in controlling water-flooding into oil well, thus increasing oil productivity in a large degree

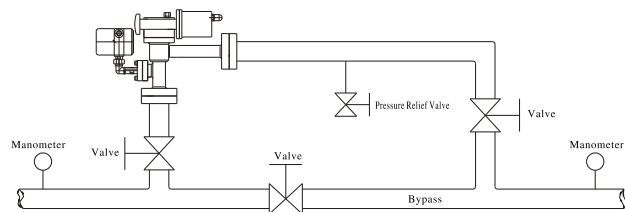
● Not only can it measure flowing medium, but it can control the flow amount proportional to signals received from other Flow Meters (mainly for polymer-flooding).

Installation

Straight Version



Corner Version



※ The specifications contained herein are subject to change without notice and any user of said specifications should verify from the manufacturer that the specifications are currently in effect. Otherwise, the manufacturer assumes no responsibility for the use of specifications which may have been changed and are no longer in effect.

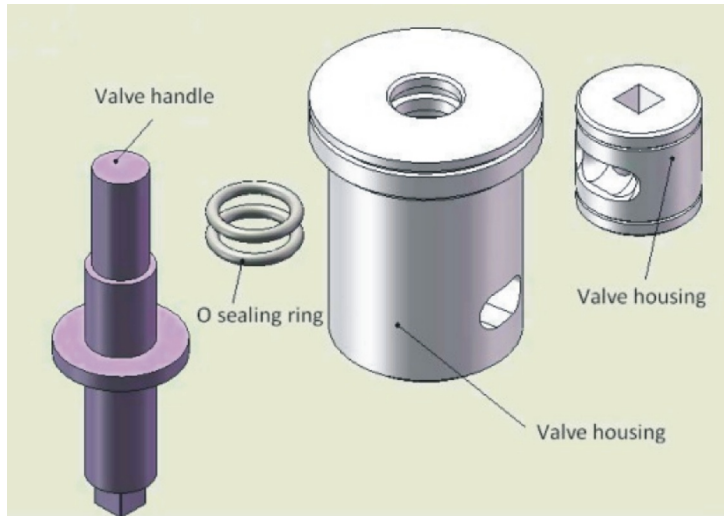


C1001 Flow Auto Controller

Inner Structure

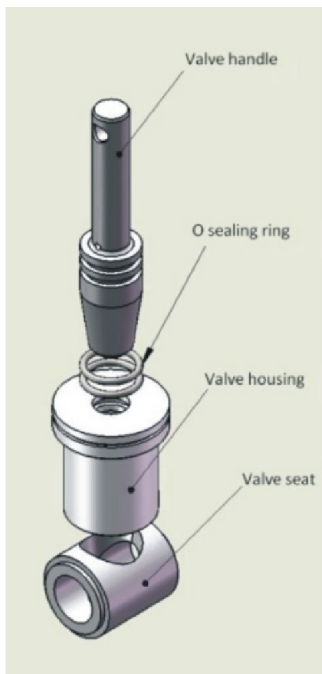
C1000 Flow Auto Controller is mainly applied in EOR(Enhanced Oil Recovery) processes, i.e.the second or tertiary recovery of crude oil mainly for old oil field.

Ring Valve



- Mainly for corner version,
- Easy to manufacture,
- Max. pressure difference between inlet and outlet <725psi(50bar)

Conical Valve



- Mainly for straight version,
- High standard for installation,
- Max. pressure difference between inlet and outlet <1450psi(50bar), (<1015psi(70bar) for best working performance).

※ The specifications contained herein are subject to change without notice and any user of said specifications should verify from the manufacturer that the specifications are recurrently in effect. Otherwise, the manufacturer assumes no responsibility for the use of specifications which may have been changed and are no longer in effect.



C1001

Flow Auto Controller

Model	1	2	3	4	5	6	7	8	9	10	Note
	Meter	Size (mm)	Structure	PN	Material	Enclosure	Accuracy	Power supply	Control mode	Output signal	
C1001	-										
	I										Impeller version
	E										Electromagnetic version
		15									1/2"(15mm)
		25									1"(25mm)
		40									1 1/2"(40mm)
		50									2"(50mm)
		65									2 1/2"(65mm)
		80									3"(80mm)
			S								Straight version
			C								Corner version
				016							230psiz(16bar)
				025							360psi(25bar)
				040							580psi(40bar)
				064							915psi(63bar)
				100							1450psi(100bar)
				160							2320psi(160bar)
				250							3625psi(250bar)
				320							4641psi(320bar)
				420							6090psi(420bar)
					G						Cast steel
					S						SS 304L
						P					Common version
						B					Explosion-proof version
							10				± 1.0%
							15				± 1.5%
							20				± 2.0%
								A			AC 85 to 260V
								D			DC18 to 36V
									1		Basic control (flow)
									2		Pressure control
										F	Pulse
										I	(4 to 20)mA
										R	RS-485

※ The specifications contained herein are subject to change without notice and any user of said specifications should verify from the manufacturer that the specifications are currently in effect. Otherwise, the manufacturer assumes no responsibility for the use of specifications which may have been changed and are no longer in effect.